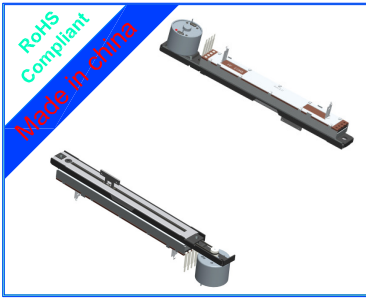


# Stable, non-wobble motor potentiometer with double slide rail

**SANNI**



## Features

- 16.0mm width
- Vertical PCB insert type
- 100mm sliding stroke
- Inner double slide rail
- RoHS compliant



Notes: ● Recommend ● Not recommend

## RAMxxR Series-16mm Motor Drive Type (R Fader) Slide Potentiometer

### How To Order

**R A M 0 1 0 3 N R - T E 8 . 2 F 4 . 0 - B 1 0 3 - 0 0 0 0**

A            B            C            D            E            F            G            H            I            J            K

A ..... Motor Drive Slide Potentiometer:RAM  
 C ..... PC Pin Vertical/Terminal Size  
 D ..... Element Count  
**N=Single Circuit    G=Dual Circuit**  
 F ..... Design Style  
 H ..... Pushrod Material  
**A=Aluminum    F=Ferroalloy**  
 J ..... Resistance Curve and Resistance Value

B ..... Length of Travel  
**01=100mm**  
 E ..... Slide Series  
 G ..... Indicating Lever Length  
 I ..... Installation Dimension "A"  
 K ..... Serial number

#### Resistance Curve To See:Tapers

Code	501	102	103	253	503	104	105
Value	500Ω	1KΩ	10KΩ	25KΩ	50KΩ	100KΩ	1MΩ

### Mechanical Characteristics

Lever travel.....100±1mm  
 Lever stop strength.....6Kgf.cm min.  
 Lever wobble......2 ( 2 x L / 2 5 ) mm p-p max.

Operating force.....5~35gf.cm  
 Side thrust of the lever.....5Kgf 10s min.

### Electrical Characteristics

Standard Resistance Range.....5KΩ To 500KΩ  
 Maximum Operating Voltage.....50 VAC,20 VDC  
 Noise.....47 mV max.  
 Voltage proof......250V DC for 1 minute.  
 Insulation resistance.....100MΩ min. 500V DC

Total Resistance Tolerance.....±10 Or ±20%  
 Rated Power.....  
**Linear Taper......0.05 Watts**  
**Audio Taper......0.025 Watts**  
 Residual Resistance......50Ω max.

### Motor drive characteristics

Rated voltage.....5V DC  
 Operating Voltage......4~6V DC  
 Actuator Move Speed......20mm/0.1sec.Min.  
 Max Current......300~600mA

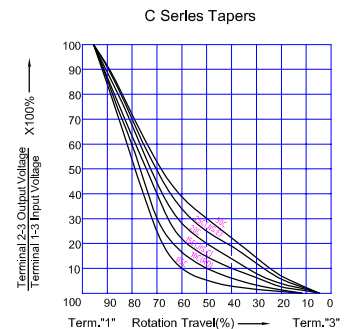
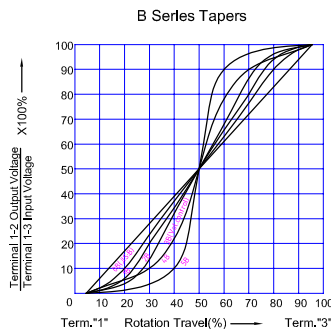
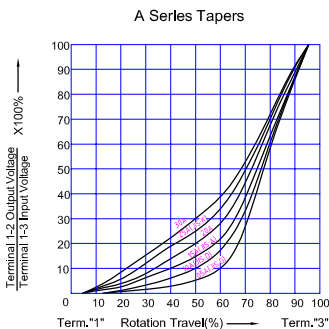
### Environmental Characteristics

Operating Temperature Range.....-10°C to +70°C  
 Storage Temperature Range.....-30°C to +70°C

### Durability Characteristics

Rotational Life......30,000 cycles

### Tapers



Tel:+86-769-85968666

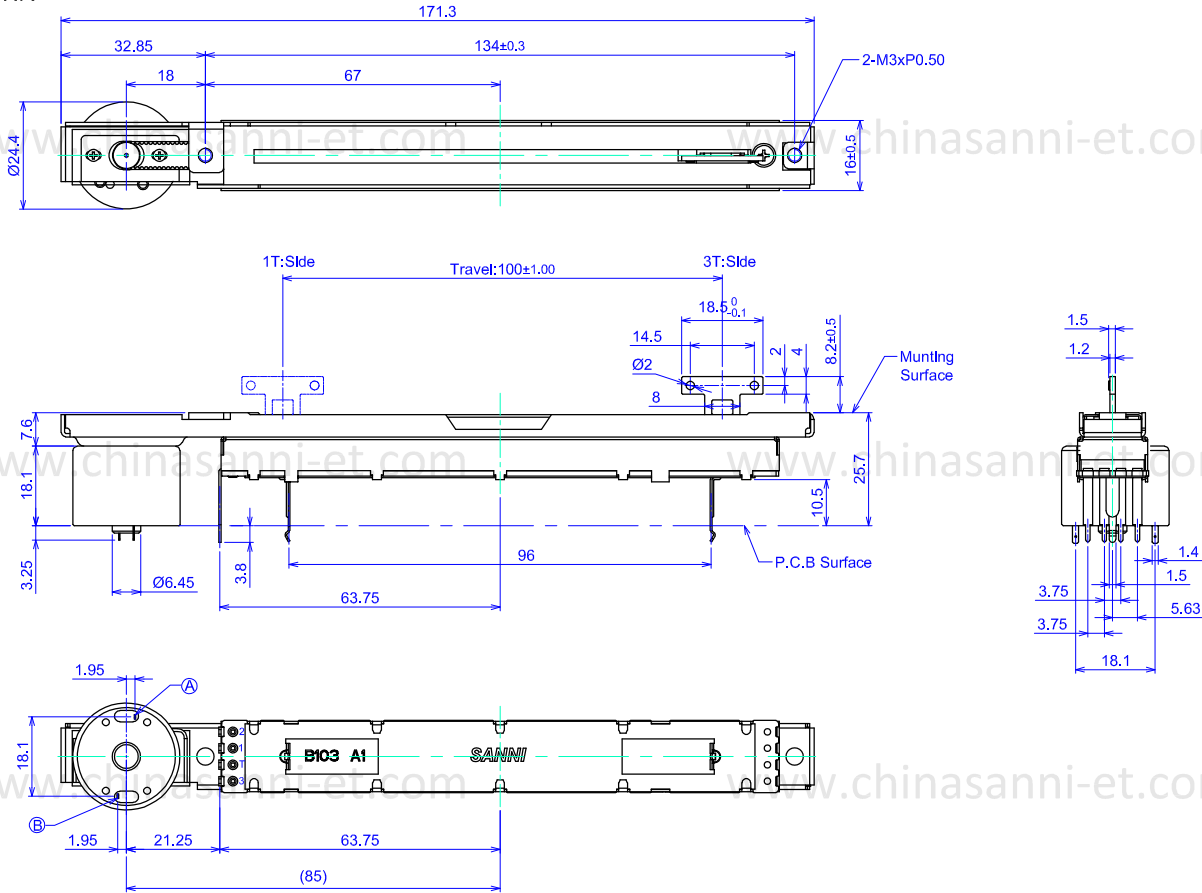
Fax:+86-769-85596262

Http:www.chinasanni.com E-mail:sanni@chinasanni.com

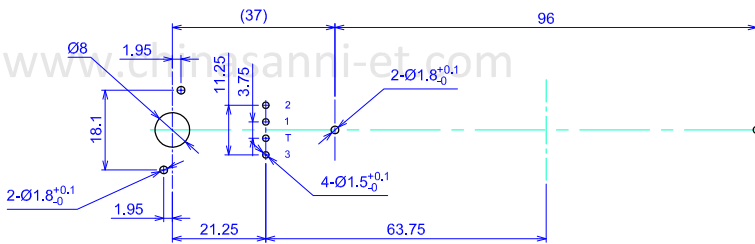
Product Dimensions

Unit:mm

RAM0103NR



Mounting Hole Dimensions ON P.C.B.(T=1.60)



Circuit diagram



Specifications are subject to change without notice.  
 Users should verify actual device performance in their specific applications.  
 Dust cloth can be installed with special remarks.  
 Friction of dust cloth will affect the motor speed.