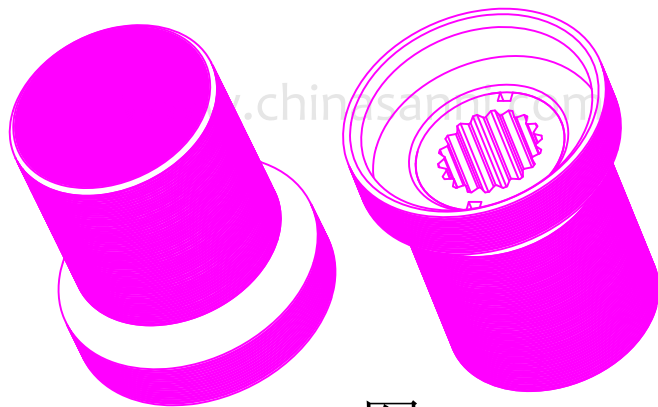
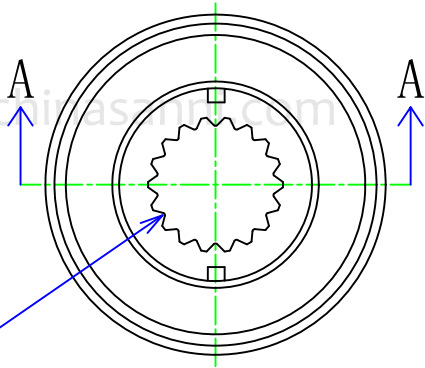
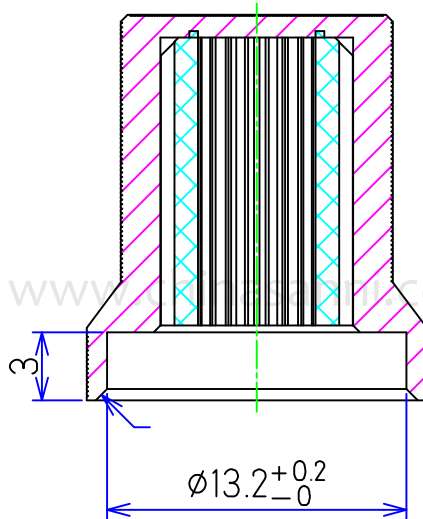
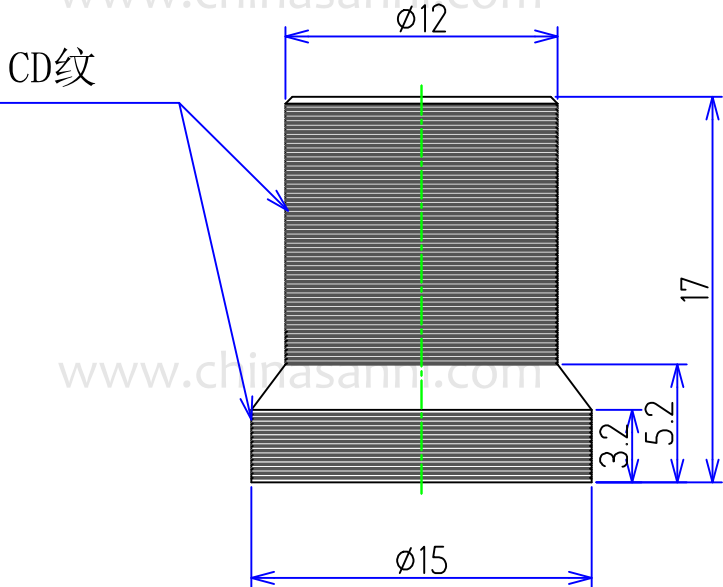


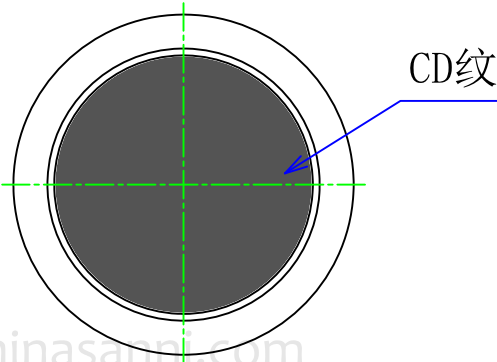
16
 ◎ 0.03
 ≡ 0.03



3D图



A-A剖视图



技术要求:

1. 表面无划痕, 色差等;
2. 无缩水、披锋、水纹;
3. CD纹无乱纹;

Material No. 铝				Dispose: 见附表		S:	D:	V:	M:
△				TOL UNLESS OTHERWISE STATED		DESIGNED	CHECKED	SANNI ELECTRONIC TECHNOLOGY	
△				BASIC DIMENSION	TOLERANCE				
△				Less than 1.00	±0.1			Model No.	XN-214-KQ
△				1.00-less than 10.0	±0.15	DRAWING No.			
△				10.0-less than 50.0	±0.5	UNIT mm	Edition A1.0	Document No.	XN-214 旋钮
SYMB	REVISION	DATE	APPROVED	ANGLE	±0.5°	SCALE 3:1	2023-08/13		